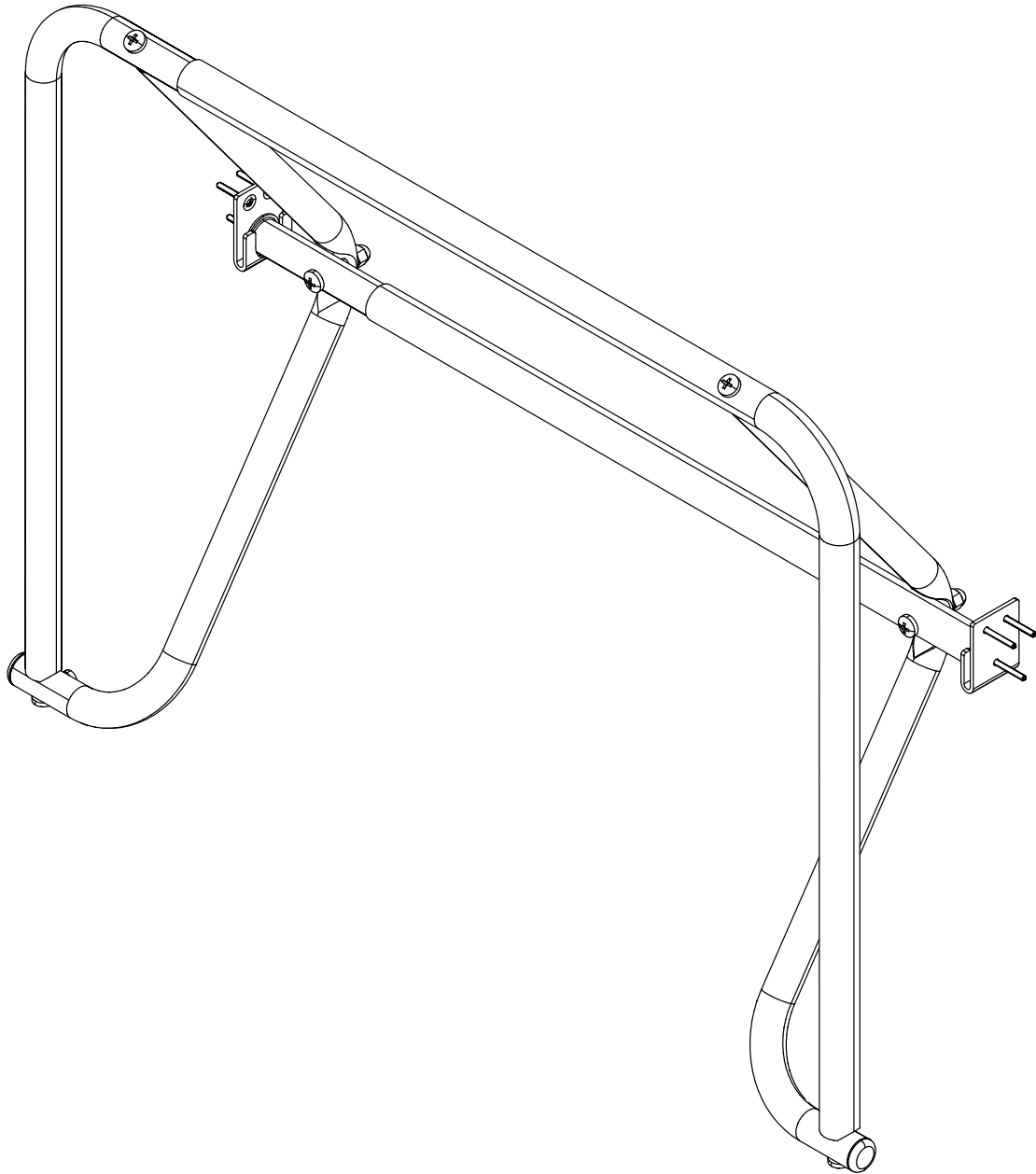


# Body-Solid®

Built for Life

PUB-34



Assembly Instructions

**OWNER'S & MANUAL**

## PUB-34 INSTRUCTIONS

1. Attach Left Frame Connector (**H**) and Right Frame Connector (**D**) to your door frame and have the top of the connectors at least 1 1/2" below the cross member of your door frame using a total of:  
**6 - (#2) 5/32"X1 1/8" Wood Screw**
2. Attach Left V-Frame (**F**) to Left Post (**G**) and Right V-Frame (**B**) to Right Post (**C**) using a total of:  
**2 - (#1) 1/4"X1 3/8" Cross Screw**  
**2 - (#6) 1/4" Acorn Nut**
3. Insert Left Post (**G**) into Right Post (**C**). Attach the end of Left Post (**G**) into Left Frame Connector (**H**) and the end of Right Post (**C**) into the Right Frame Connector (**D**) that are mounted on your door frame to obtain proper length.
4. Attach Left Frame (**E**) to Left Post (**G**) and Left V-Frame (**F**) using a total of:  
**2 - (#1) 1/4"X1 3/8" Cross Screw**
5. Insert Right Frame (**A**) onto Left Frame (**E**) and then attach Right Frame (**A**) to Right Post (**C**) and Right V-Frame (**B**) using a total of:  
**2 - (#1) 1/4"X1 3/8" Cross Screw**
6. Insert a Large Round End Cap (**#4**) and Rubber Plug (**#3**) into end openings of Right V-Frame (**B**) and insert Small Round End Cap (**#5**) and Rubber Plug (**#3**) into end openings of Left V-Frame (**F**).

## Hardware / Part List

<b>Part</b>	<b>Qty</b>	<b>Description</b>
<b>1</b>	6	1/4"X1 3/8" CROSS SCREW
<b>2</b>	6	5/32"X1 1/8" WOOD SCREW
<b>3</b>	2	RUBBER PLUG
<b>4</b>	1	LARGE ROUND END CAP
<b>5</b>	1	SMALL ROUND END CAP
<b>6</b>	2	1/4" ACORN NUT
<b>A</b>	1	RIGHT FRAME
<b>B</b>	1	RIGHT V-FRAME
<b>C</b>	1	RIGHT POST
<b>D</b>	1	RIGHT FRAME CONNECTOR
<b>E</b>	1	LEFT FRAME
<b>F</b>	1	LEFT V-FRAME
<b>G</b>	1	LEFT POST
<b>H</b>	1	LEFT FRAME CONNECTOR



*Body-Solid*<sup>®</sup>  
Built for Life

# PUB - 34

1900 S. Des Plaines Ave.  
Forest Park, Il 60130  
Phone:(708)427-3555  
Fax:(708)427-3556  
Hours: M-F 8:30 - 5:00 CST

*www.bodysolid.com*