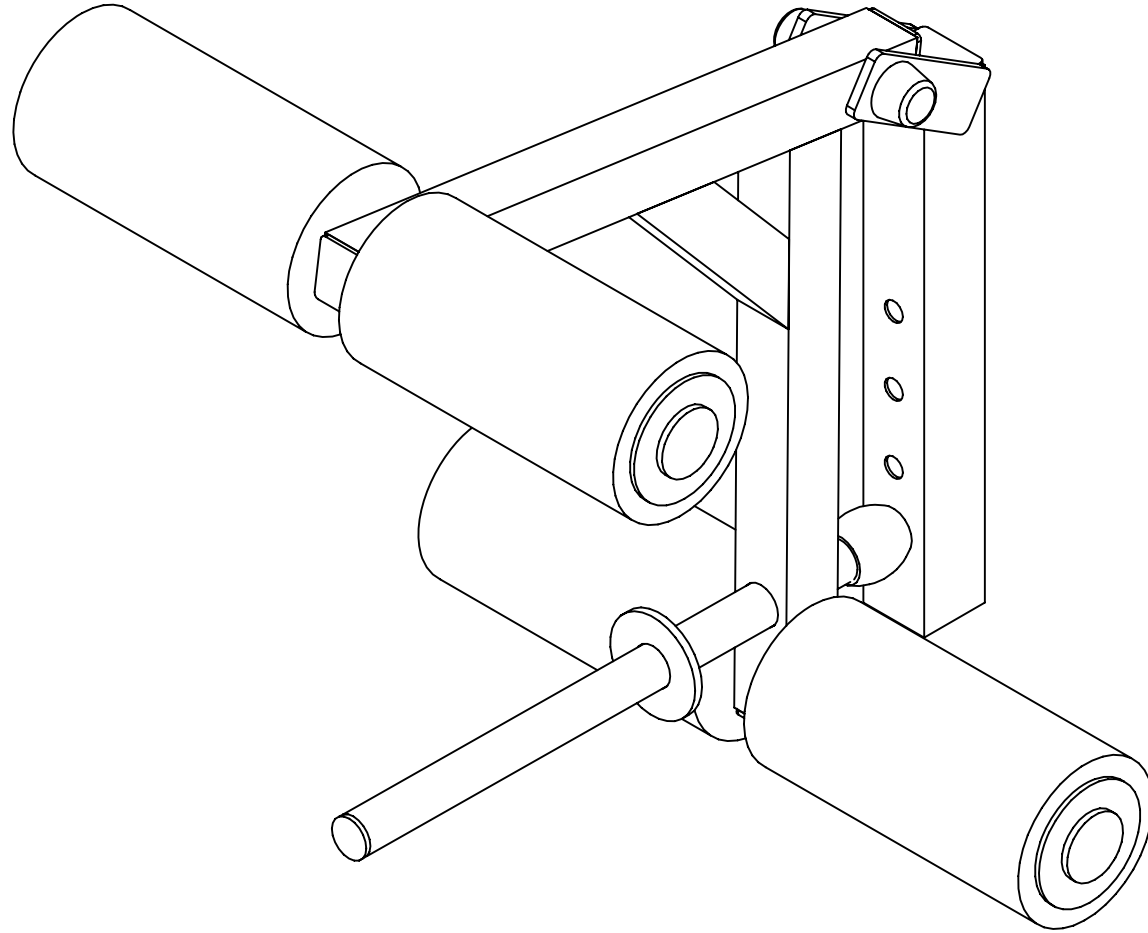


GLDA-1



VERSION 0506

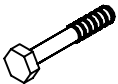
GLDA-1

HARDWARE ILLUSTRATION SHEET

PARTS ILLUSTRATION SHEET

	Qty.
A1. 1/2"X3" HEX HEAD BOLT	[1PCS]
B1. 1/2" NYLON LOCK NUT	[1PCS]
C1. 1/2" ROUND END CAP WASHER	[2PCS]
D1. ϕ 1/2" BOLT CAP	[2PCS]
D2. 45X45 END CAP (9211-004)	[1PCS]
D3. 38X38 END CAP (9211-003)	[3PCS]
D4. ϕ 1" ROUND END CAP (8341-033)	[4PCS]
D5. ϕ 1" RUBBER CANE CAP (9212-019)	[1PCS]
D6. ϕ 1" ROUND END CAP (9211-016)	[1PCS]
D7. ϕ 4"X8" FOAM ROLLER (9161-009)	[4PCS]
D8. ϕ 3" NYLON WASHER (9214-008)	[4PCS]

A1



B1



C1



D1



D2



D3



D4



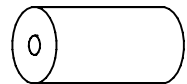
D5



D6



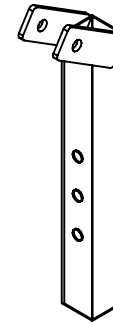
D7



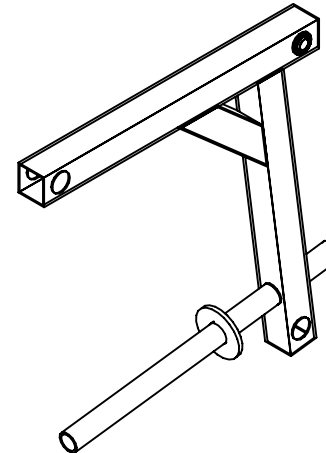
D8



A [1PCS]

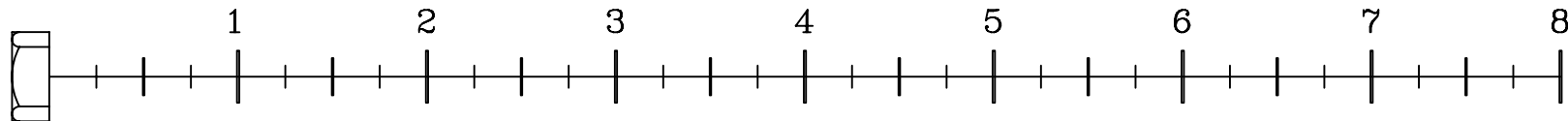
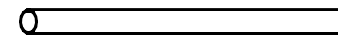


B [1PCS]



C [2PCS]

ϕ 1"x1.6tx483L



GLDA-1

