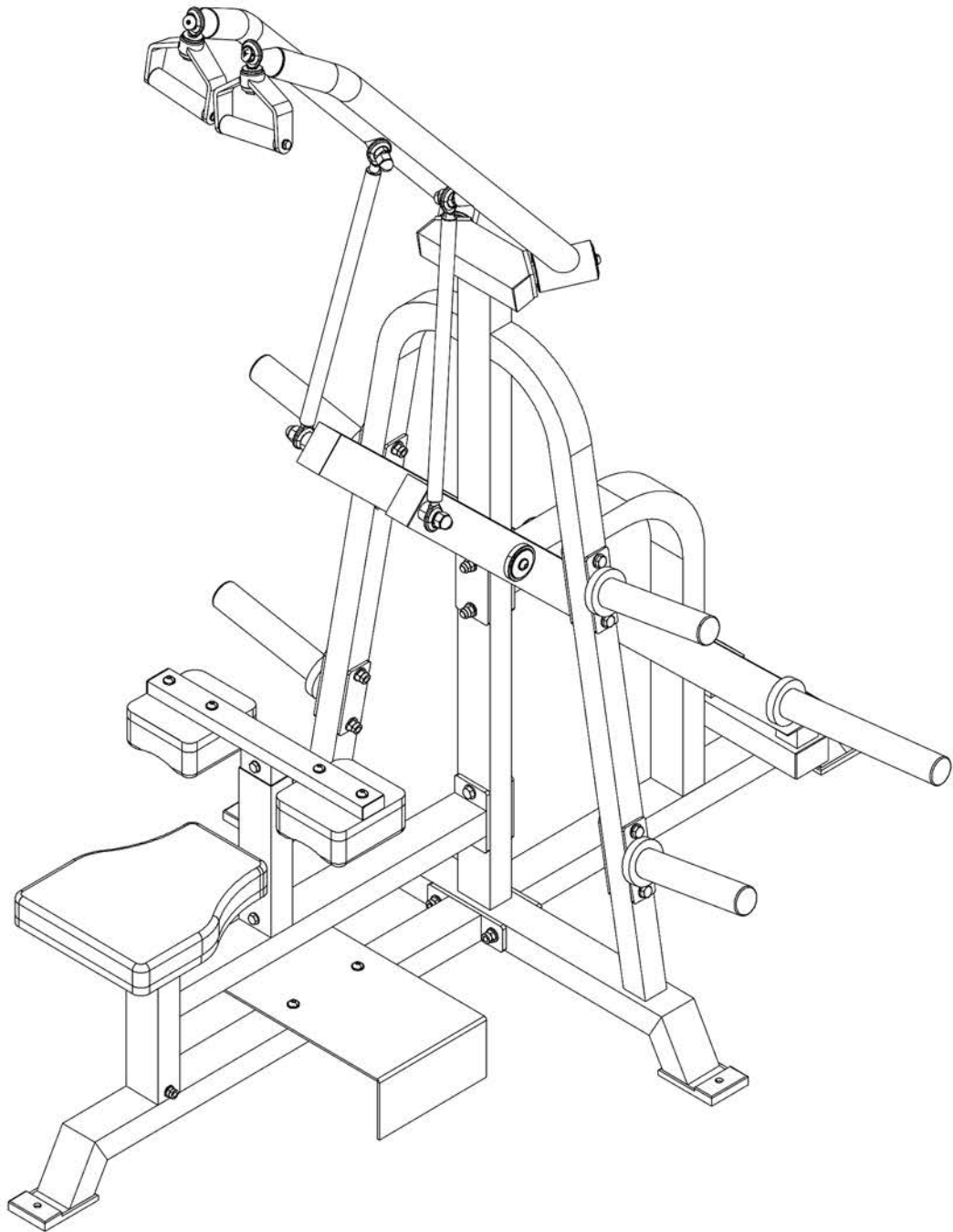


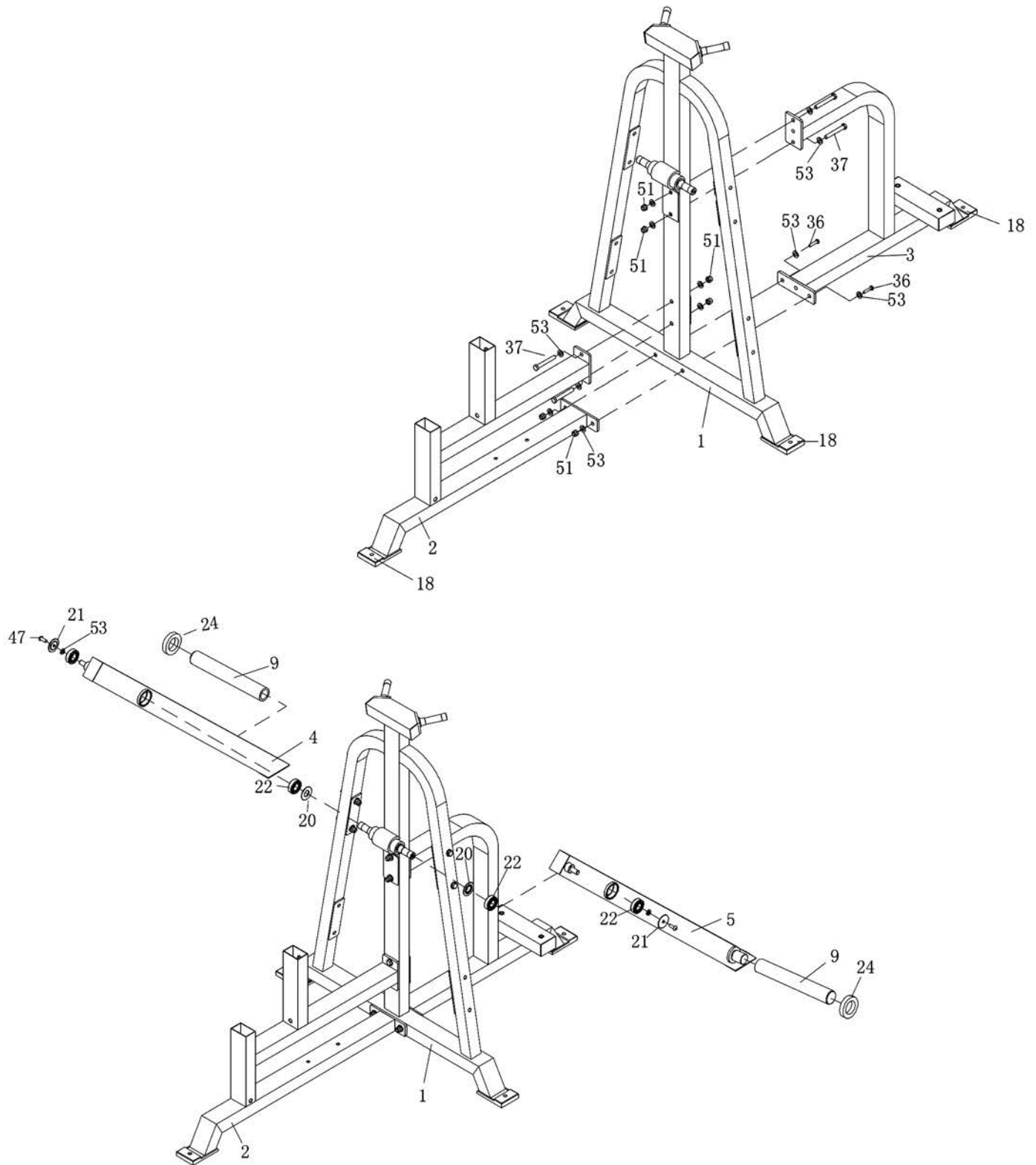
LVLA



Body-Solid

LVLA

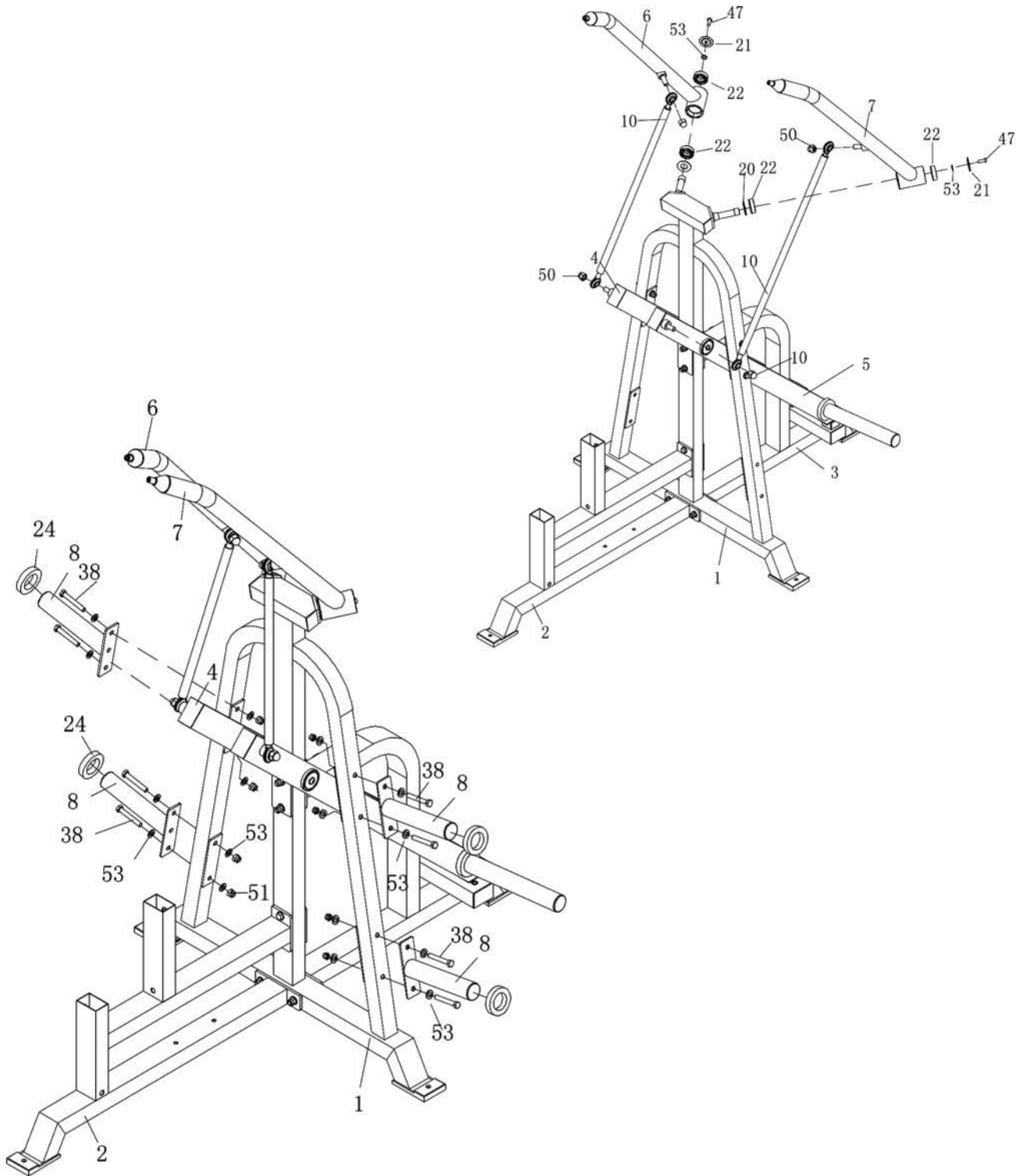
ASSEMBLY INSTRUCTIONS



Body-Solid

LVLA

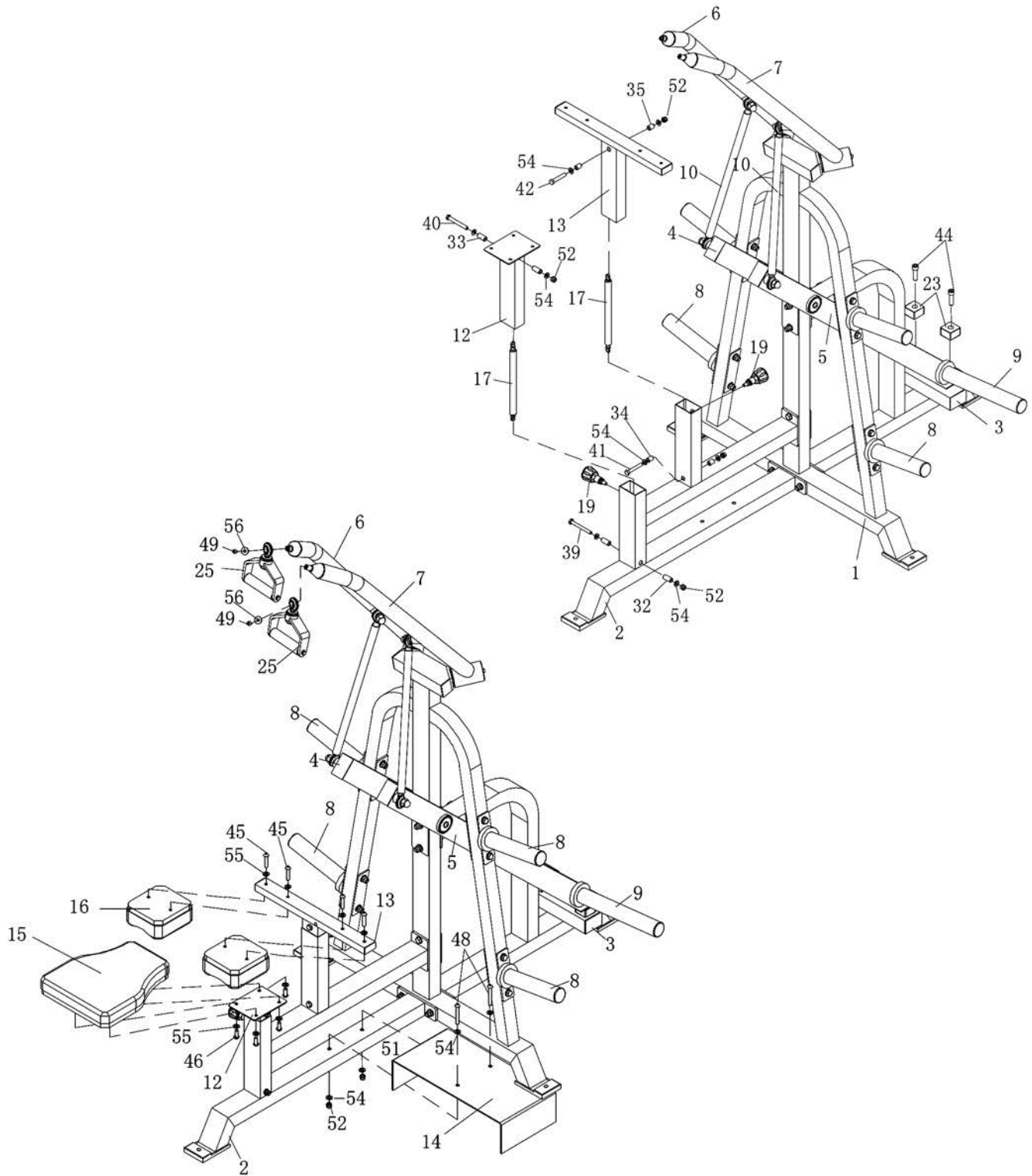
ASSEMBLY INSTRUCTIONS



Body-Solid

LVLA

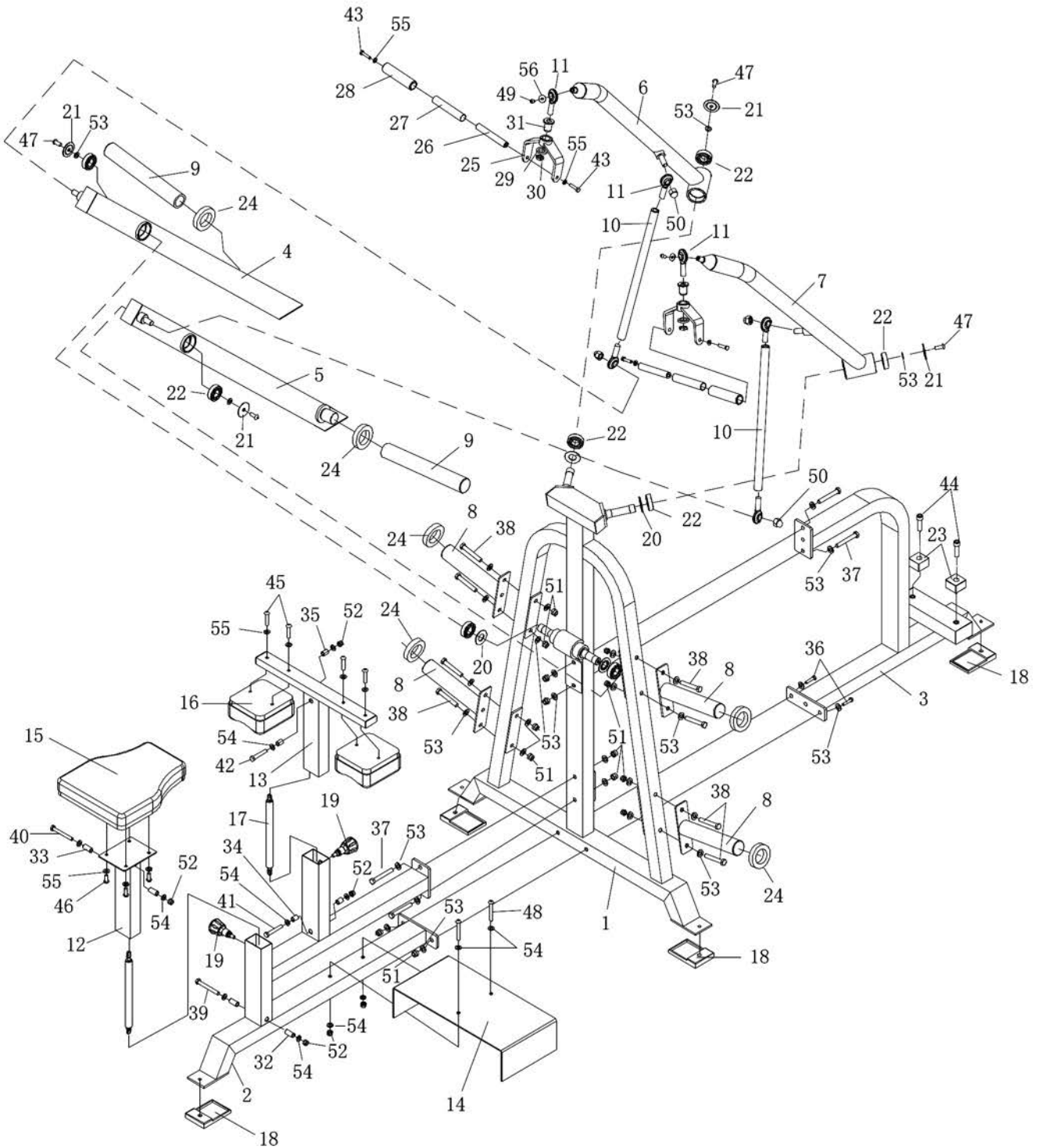
ASSEMBLY INSTRUCTIONS



Body - Solid

LVLA

EXPLODED VIEW



Body-Solid

LVLA Hardware List

| No. | Description | Qty | No. | Description | Qty |
|-----|-----------------------------------|-----|-----|---------------------------------|-----|
| 1 | Main Frame | 1 | 29 | *35**22*t5.0 Washer for Bearing | 2 |
| 2 | Connecting Tube | 1 | 30 | M10 Nylon Nut | 2 |
| 3 | Support Tube | 1 | 31 | Tube | 2 |
| 4 | Left Loading Bar | 1 | 32 | L1=32 Tube | 2 |
| 5 | Right Loading Bar | 1 | 33 | L2=34.5 Tube | 2 |
| 6 | Left Tube | 1 | 34 | L3=19.5 Tube | 2 |
| 7 | Tube | 1 | 35 | L4=22 Tube | 2 |
| 8 | Loading Bar B | 4 | 36 | M12*110 Hex Bolt | 2 |
| 9 | Loading Bar A | 2 | 37 | M12*85 Hex Bolt | 4 |
| 10 | *25*495 Shaft | 2 | 38 | M12*80 Hex Bolt | 8 |
| 11 | M16 Shaft | 6 | 39 | M10*90 Hex Bolt | 1 |
| 12 | Pad | 1 | 40 | M10*85 Hex Bolt | 1 |
| 13 | Connecting Tube | 1 | 41 | M10*65 Hex Bolt | 1 |
| 14 | Foot Plate | 1 | 42 | M10*60 Hex Bolt | 1 |
| 15 | Seat Pad | 1 | 43 | M8*30 Hex Bolt | 4 |
| 16 | Knee Pad | 2 | 44 | M12*35 Hex Bolt | 2 |
| 17 | *21*515 Shock | 2 | 45 | M8*45 Hex Bolt | 4 |
| 18 | End Cap | 4 | 46 | M8*25 Hex Bolt | 4 |
| 19 | *10*90 Pop Pin | 2 | 47 | M10*25 Hex Bolt | 4 |
| 20 | Washer for bearing t3.0**25.5**51 | 2 | 48 | M10*70 Hex Bolt | 2 |
| 21 | t3.0**10.5**51 Shaft | 2 | 49 | M8*15 Hex Bolt | 2 |
| 22 | Shaft | 8 | 50 | M16 Nylon Nut | 4 |
| 23 | 48*48*30 Rubber Stoper | 2 | 51 | M12 Nylon Nut | 14 |
| 24 | *80**50*16 Rubber Stoper | 6 | 52 | M10 Nylon Nut | 6 |
| 25 | U shape handle bar | 2 | 53 | *12 Washer | 32 |
| 26 | *20*134 Shaft | 2 | 54 | *10 Washer | 10 |
| 27 | *25**21*132 Foam Grip | 2 | 55 | *18 Washer | 12 |
| 28 | Foam Grip | 2 | 56 | *8.4**24*2.0 Washer | 2 |