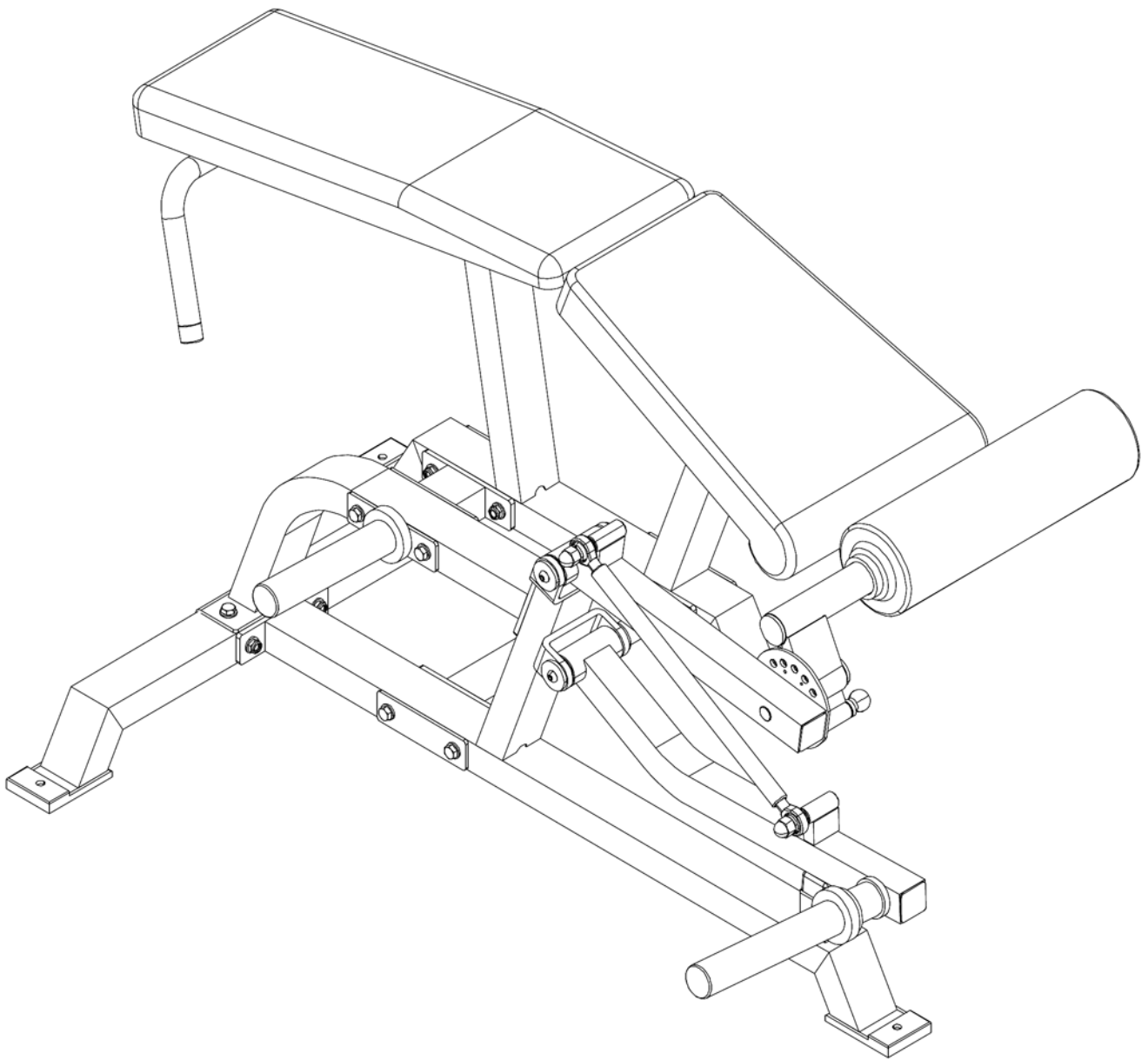


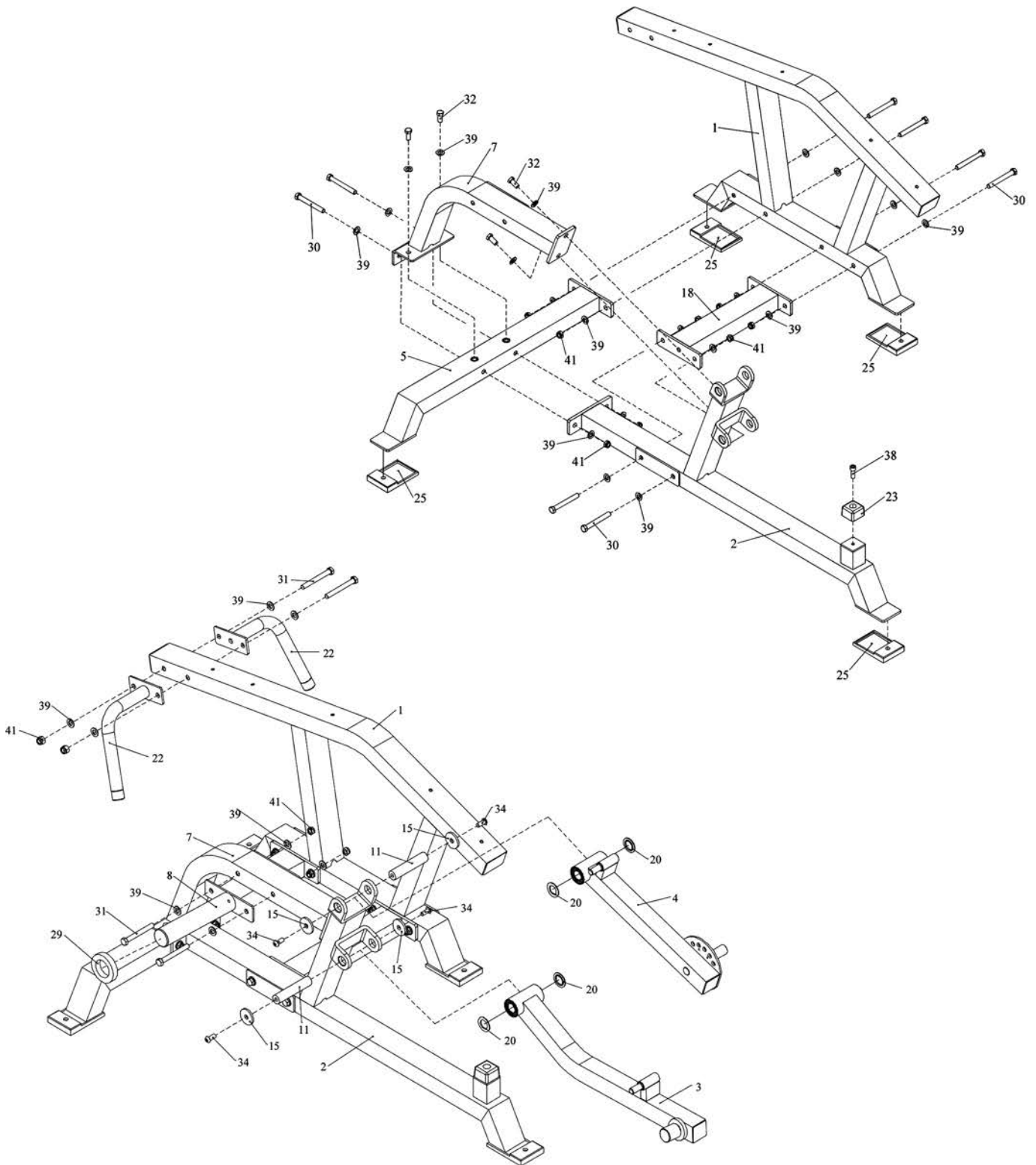
# LVLC



*Body-Solid*

**LVLC**

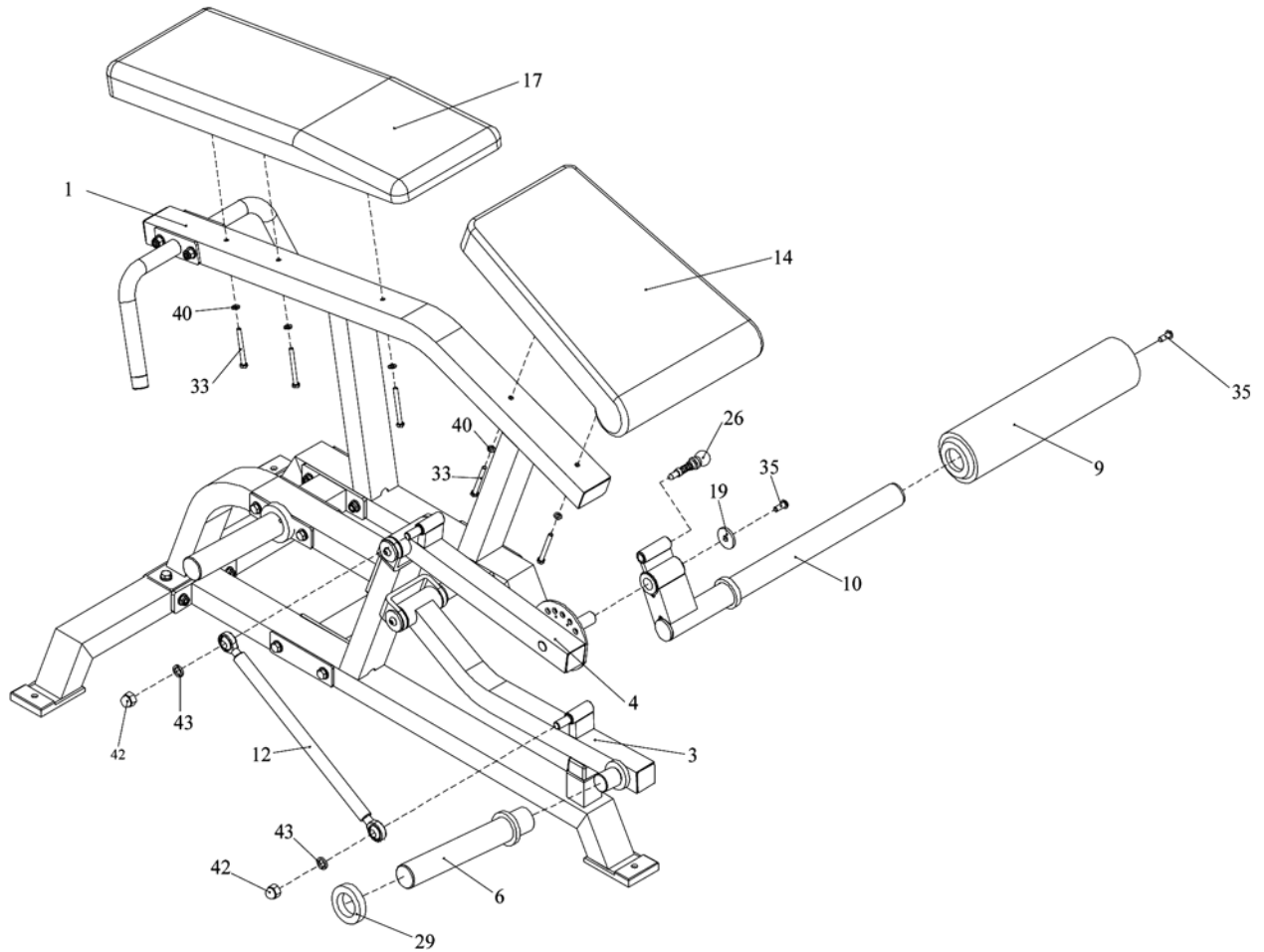
# ASSEMBLY INSTRUCTIONS



*Body - Solid*

**LVLC**

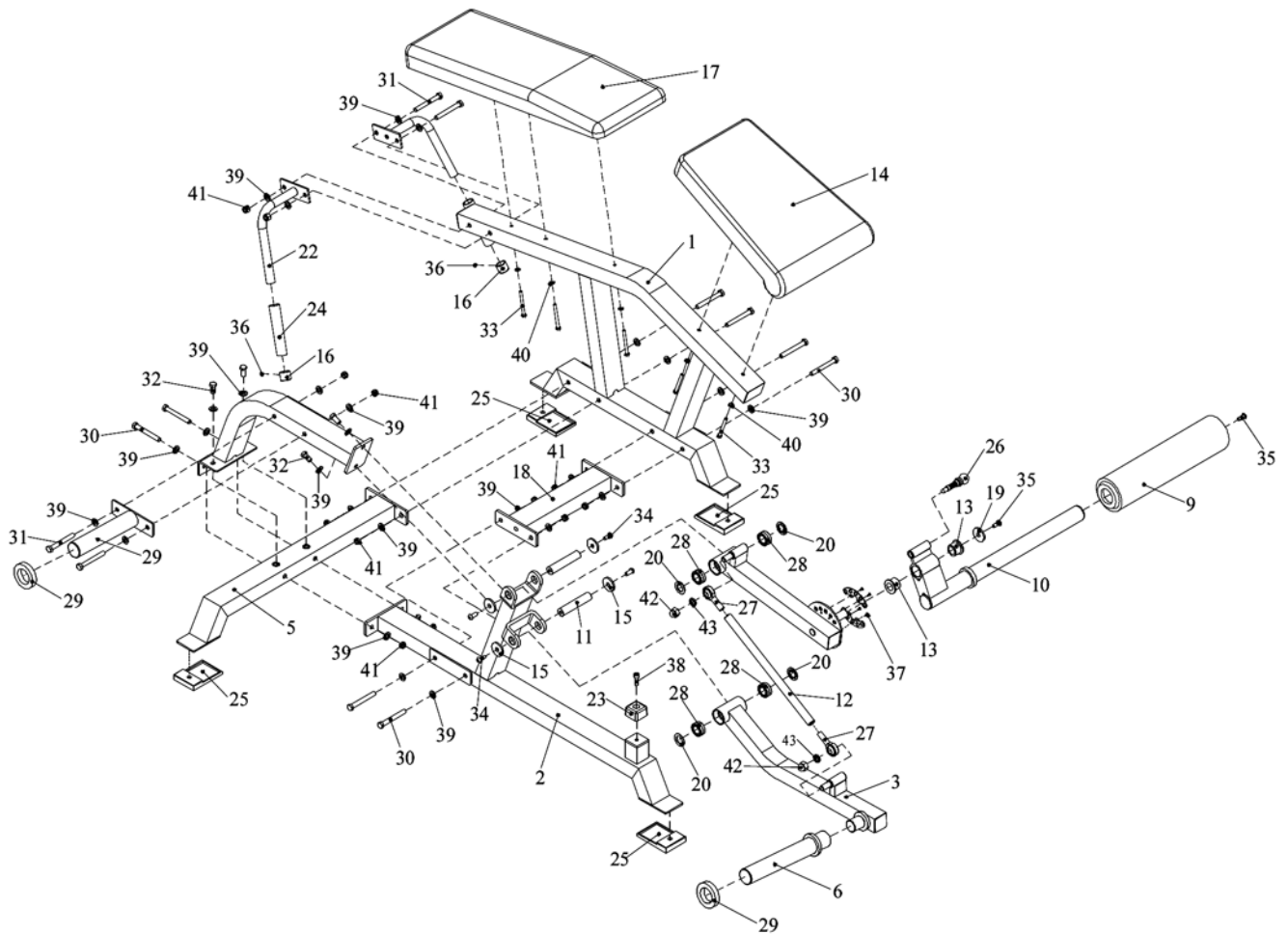
# ASSEMBLY INSTRUCTIONS



*Body-Solid*

**LVLC**

# EXPLODED VIEW



*Body-Solid*

### LVLC Hardware List

No .	Description	Qty	No .	Description	Qty
1	Main Frame	1	23	*48*48*30 Rubber Stoper	1
2	Main Frame	1	24	*32**24*320 Foam Grip	2
3	Tube	1	25	125*85 End Cap	4
4	Frame	1	26	*11*88 Pop Pin	1
5	Connecting Tube	1	27	KGB SA16TK M16 Shaft	2
6	Loading Bar A	1	28	NA 4905 Shaft	4
7	Support Tube	1	29	*80**50*16 Rubber Stoper	2
8	Loading Bar B	1	30	M12*110 Hex Bolt	8
9	Bushing	1	31	M12*105 Hex Bolt	4
10	Tube	1	32	M12*20 Hex Bolt	4
11	Shaft	2	33	M8*75 Hex Bolt	5
12	Tube	1	34	M12*30 Hex Bolt	4
13	Bushing	2	35	M10*30 Hex Bolt	2
14	Seat Pad	1	36	M4*8 Screw	2
15	Shaft	4	37	M5*6 Screw	4
16	End Cap	2	38	M10*20 Screw	4
17	Back Pad	1	39	*12 Washer	28
18	Connecting Tube	1	40	*10 Washer	5
19	Washer	1	41	M12 Nylon Nut	12
20	Shaft	4	42	M16 Nylon Nut	2
21	Arc Plate	2	43	*16 Washer	2
22	Frame	2			