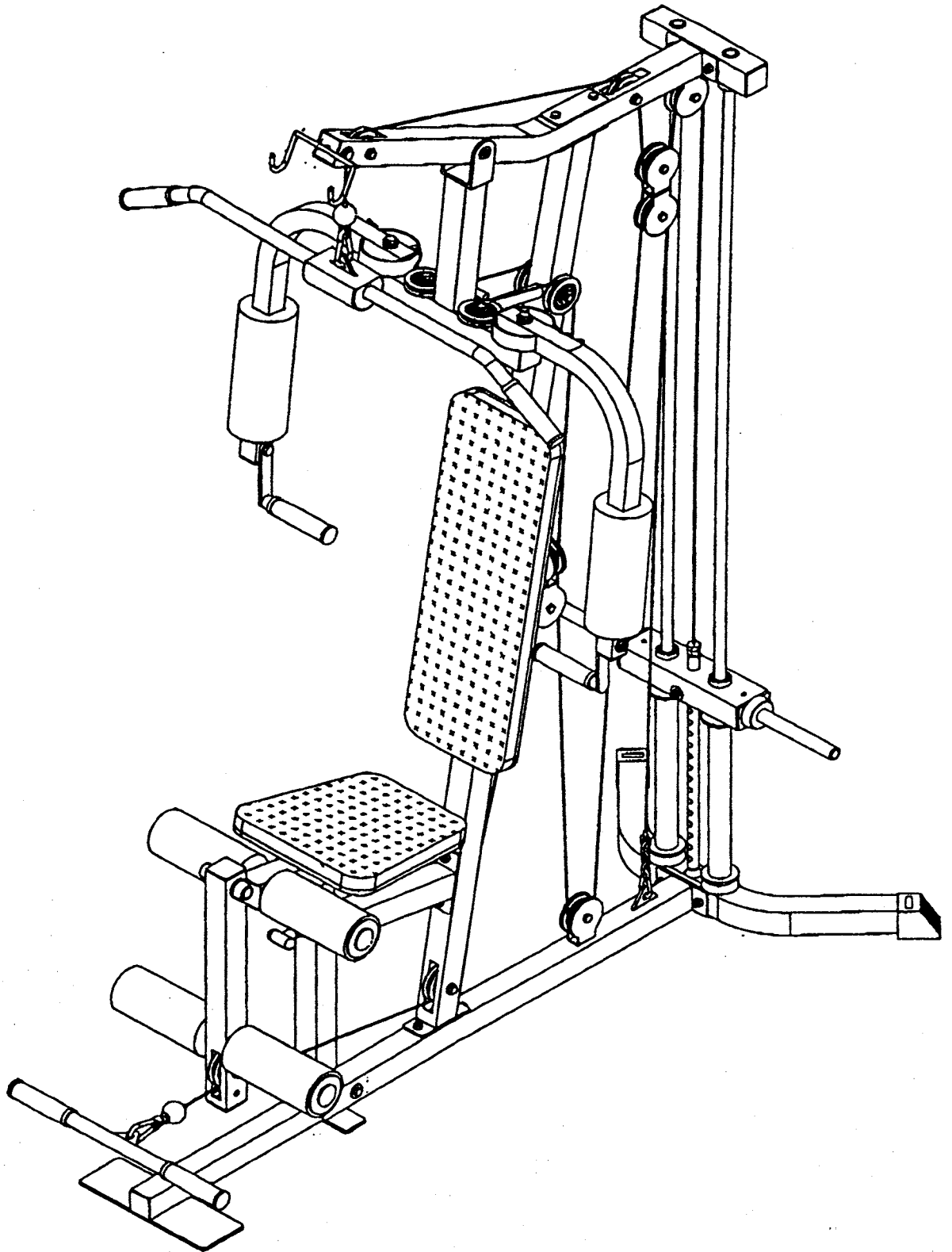



















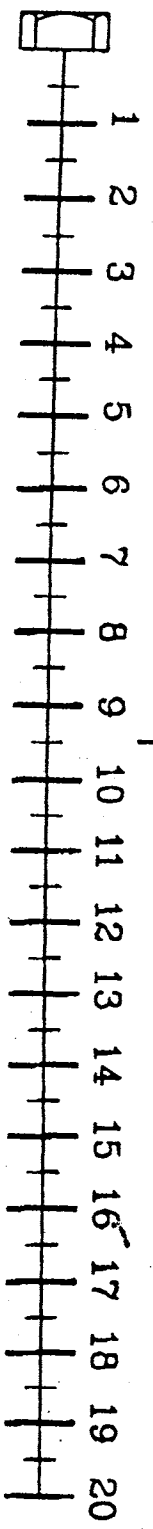
PHG-1000



VERSION 0207

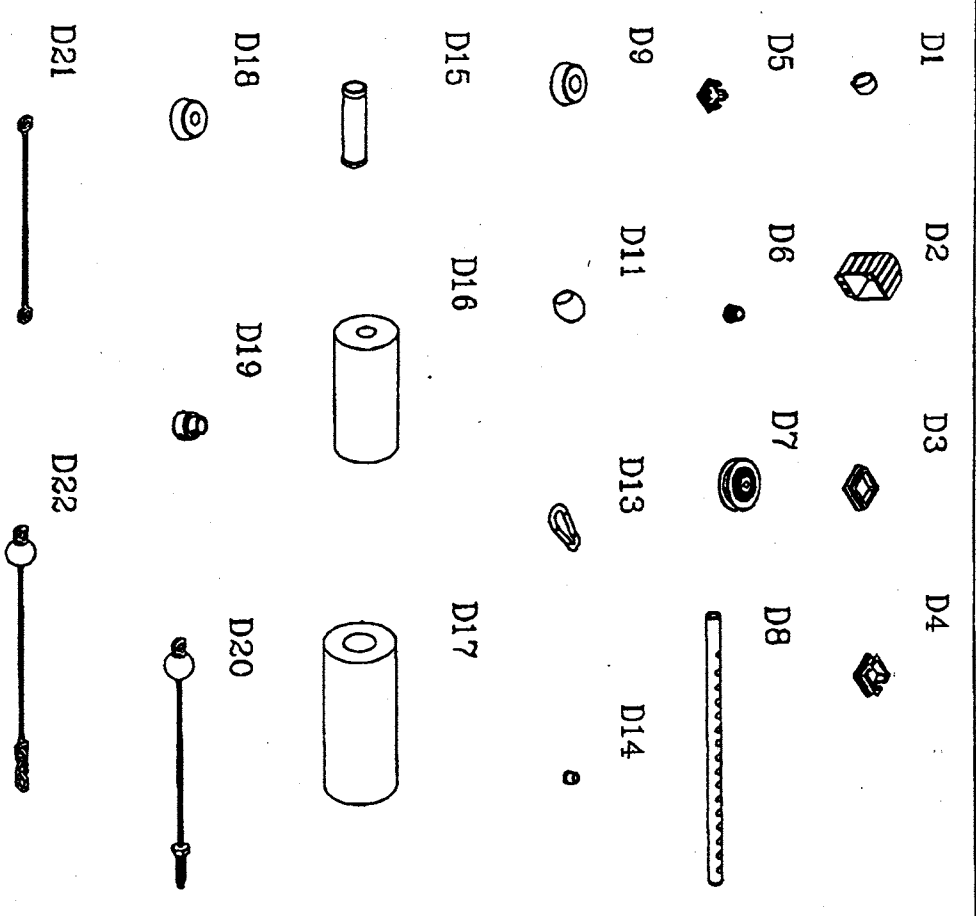
PHG-1000 HARDWARE ILLUSTRATION SHEET

	Qty.	
A1. M10X15L HEX HEAD BOLT-----	[1PCS]	A1 
A2. M10X10L HEX HEAD BOLT-----	[1PCS]	A2 
A3. M10X90L HEX HEAD BOLT-----	[2PCS]	A3 
A4. M10X70L HEX HEAD BOLT-----	[12PCS]	A4 
A5. M10X40L HEX HEAD BOLT-----	[6PCS]	A5 
A6. 5/16"X2 3/4" HEX HEAD BOLT-----	[4PCS]	A6 
A7. M10X70L CARRIAGE BOLT-----	[2PCS]	A7 
A8. EXTERNALLY THREADED SHAFT (8260-006)---	[1PCS]	A8 
A9. CAP 3/8"X3 1/2" ROUNT BOLT-----	[1PCS]	A9 
B1. M10 NYLON LOCK NUT-----	[24PCS]	B1 
B2. 1/2" LOCK NUT-----	[1PCS]	B2 
C1. M10 (I.D)WASHER-----	[14PCS]	C1 
C2. 5/16" (I.D)WASHER-----	[4PCS]	C2 
C3. 5/16" SPRING WASHER-----	[4PCS]	C3 
C4. M10 ROUND END CAP WASHER-----	[2PCS]	C4 
C5. 1/2" SPRING WASHER-----	[1PCS]	C5 
C6. M10XØ19 (I.D) WASHER-----	[2PCS]	C6 

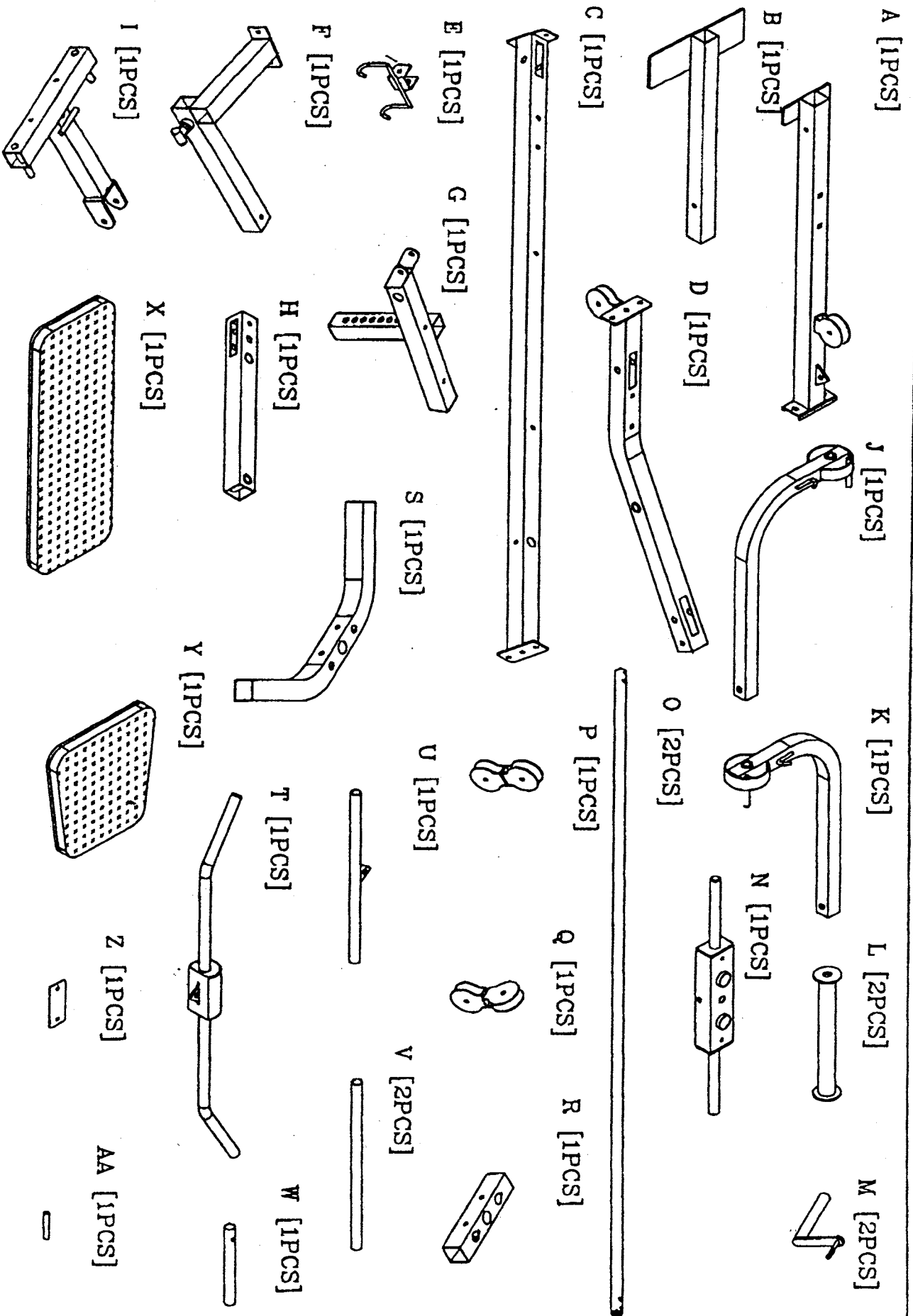


PHG-1000 HARDWARE ILLUSTRATION SHEET

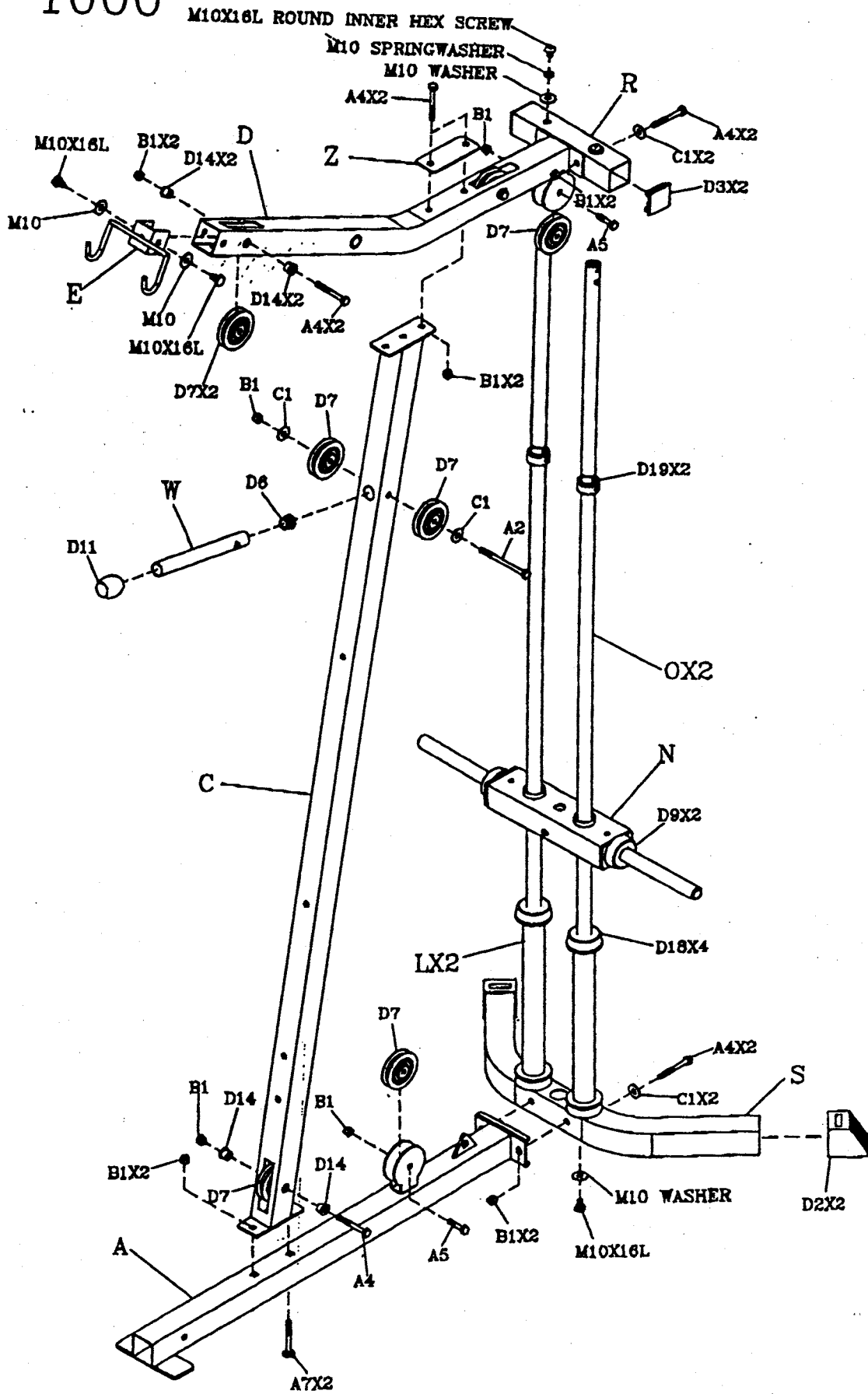
Part No.	Description	Qty.
D1.	M10 BOLT CAP (9212-026) -----	[2PCS]
D2.	50X50 FOOT CAP (9212-003) -----	[2PCS]
D3.	50X1.8t END CAP (9211-005) -----	[8PCS]
D4.	45X45 END CAP (9211-004) -----	[1PCS]
D5.	38X38 END CAP (9211-003) -----	[2PCS]
D6.	ø25.4 ROUND END CAP (9211-016) -----	[5PCS]
D7.	ø74mm PULLEY (9213-005) -----	[14PCS]
D8.	SELECTOR SHAFT (8210-052) -----	[1PCS]
D9.	ø2 1/2"Xø26 RUBBER DOUNT(9310-012)----	[2PCS]
D11.	ø25.4 RUBBER DOUNT (9212-019) -----	[1PCS]
D13.	ø6mm SPRING SNAP LNK (8810-002)----	[3PCS]
D14.	ø16 STEEL BUSHING (9211-041)-----	[8PCS]
D15.	ø1"X34X135 RUBBER GRIP (9212-016)----	[6PCS]
D16.	ø3 1/2"X8" FOAM ROLLER (9161-007)----	[4PCS]
D17.	ø4"X10" FOAM ROLLER (9161-010)-----	[2PCS]
D18.	ø2 1/2"Xø19.2 RUBBER DOUNT (9310-010)	[4PCS]
D19.	ø3/4" SHAFT CLOOAR (9211-046) -----	[2PCS]
D20.	3440mm STEEL CABLE -----	[1PCS]
D21.	3050mm STEEL CABLE -----	[1PCS]
D22.	3790mmSTEEL CABLE -----	[1PCS]



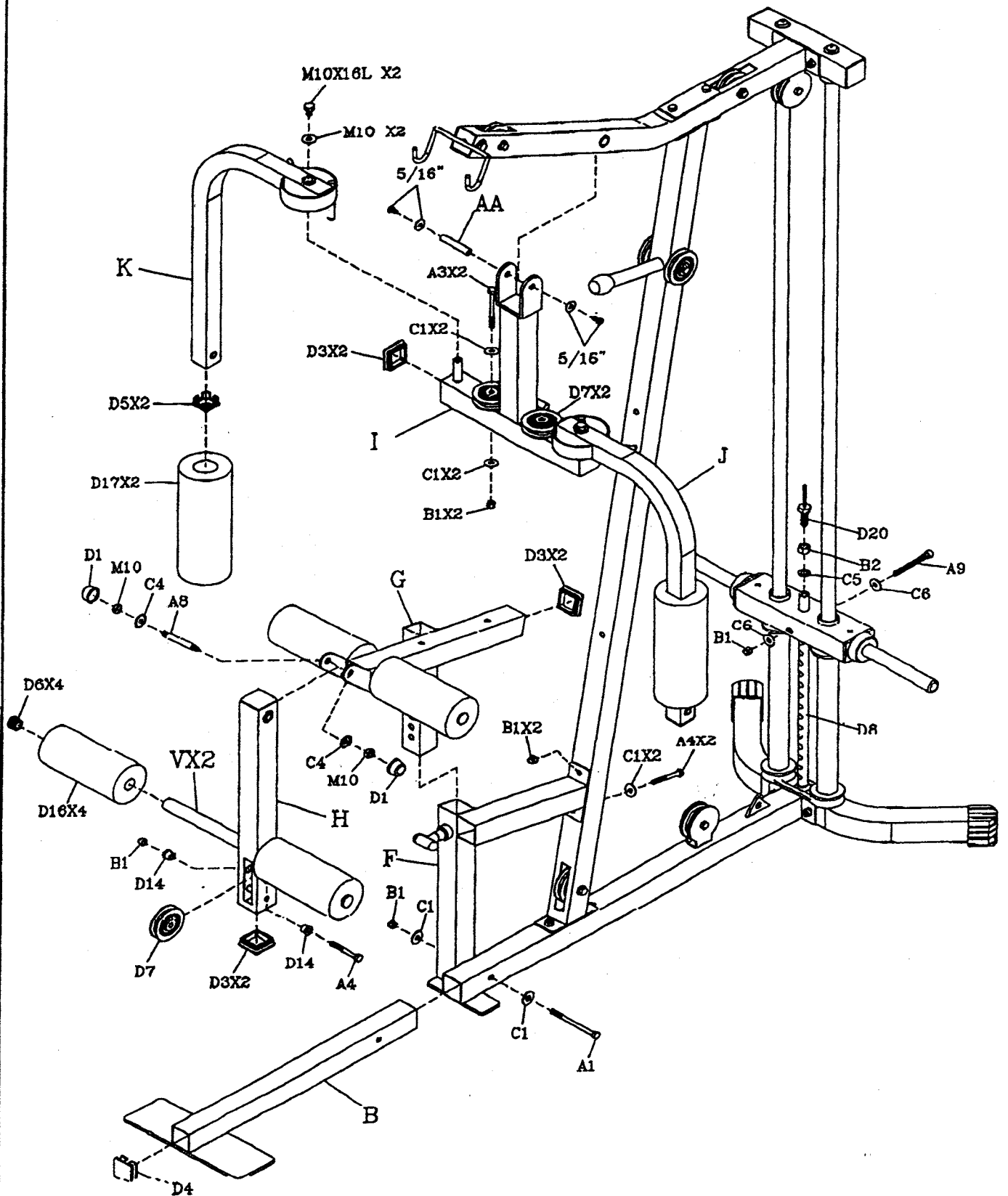
PHG-1000 PARTS ILLUSTRATION SHEET



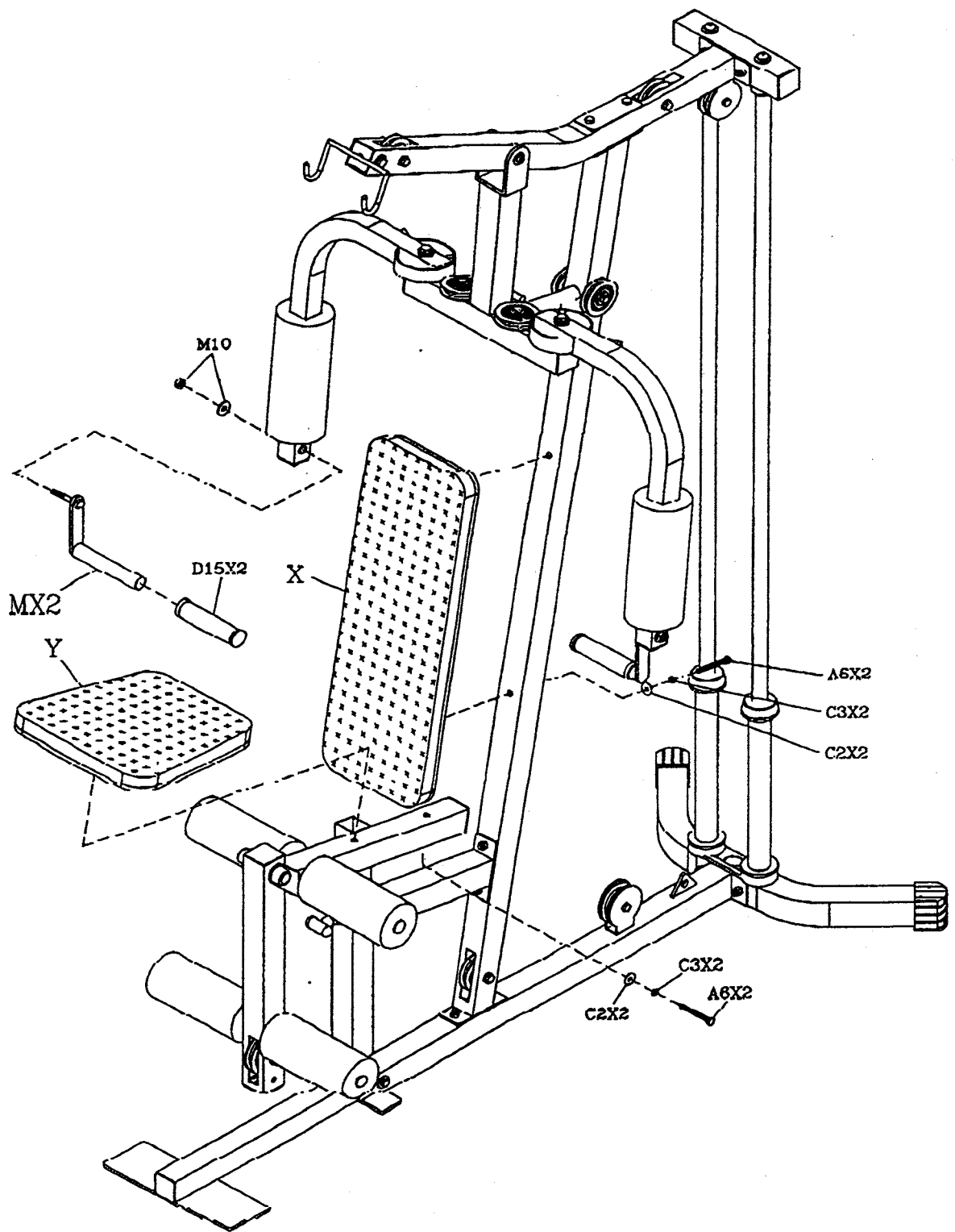
PHG-1000



PHG-1000



PHG-1000



PHG-1000

